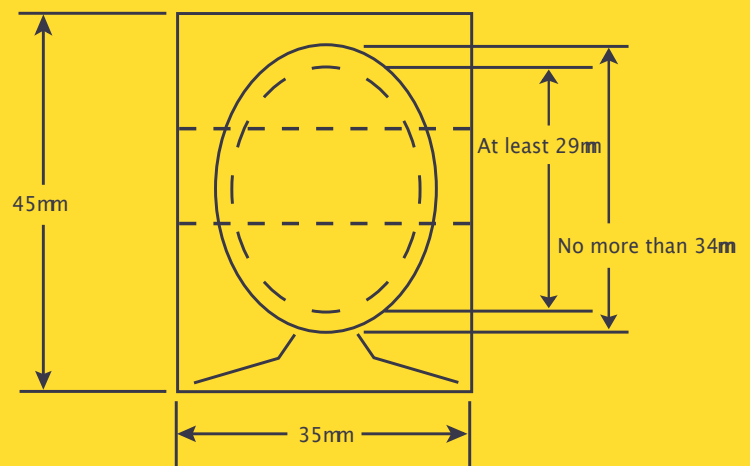


Photograph required for the new 2010 FreedomPass

From April 2010 the photograph will become an integral part of the new freedom pass. In order to ensure that your photograph meets the standard required please read the guidance below:



The photograph must be:

- ✓ Facing forwards, looking straight towards the camera. It should include the whole head and not have any of the chin, top of head or ears missing.
- ✓ Nothing covering your face.
- ✓ Your full head, without any head covering, unless worn for religious beliefs or medical reasons.
- ✓ Taken quite recently.
- ✓ A colour photograph taken against a plain background. Preferably against a pale plain background so that all your features are clearly distinguishable.
- ✓ Undamaged, for example, by creases, staples, paperclips, or other marks.
- ✓ Your eyes open and clearly visible. Reactor glasses may be worn so long as your eyes are clearly visible through the lens. Dark glasses are permitted if worn for medical reasons.

Passport sized (45mm x 35mm).